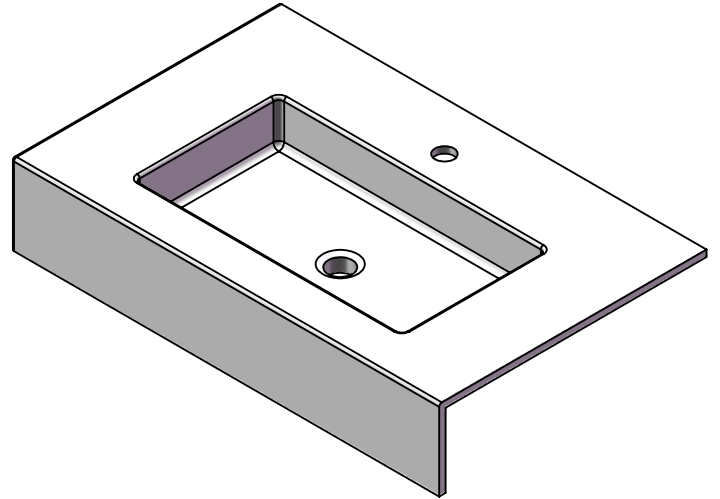


sink SQUARE 50



UNLESS OTHERWISE SPECIFIED:  
DIMENSIONS ARE IN MILLIMETERS  
SURFACE FINISH:  
TOLERANCES:  
LINEAR:  
ANGULAR:

FINISH:

DEBUR AND  
BREAK SHARP  
EDGES

DO NOT SCALE DRAWING

REVISION

Ù[ |ã ÁÛ | -ã&

	NAME	SIGNATURE	DATE		
DRAWN					
CHK'D					
APPV'D					
MFG					
Q.A					
				MATERIAL:	
				WEIGHT:	

TITLE:		
Y æ & @ã & @À € í € & Á ^ ! • ã } Â		
DWG NO.		A4
SCALE: 1:20	SHEET 1 OF 1	