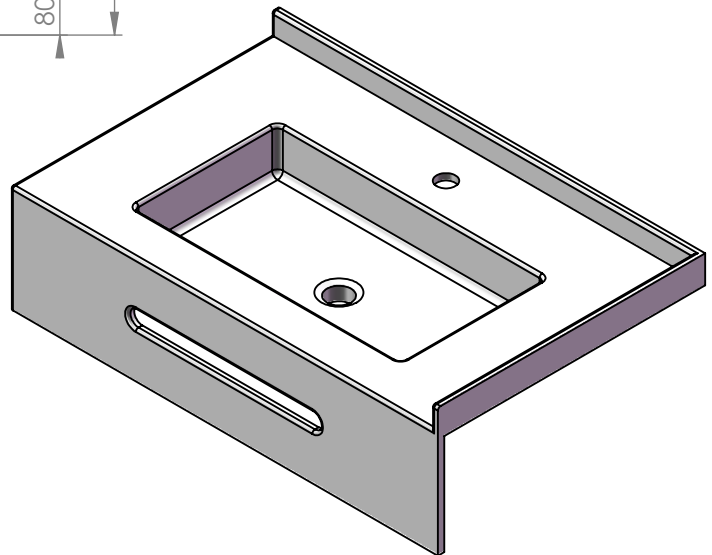


Basin Square 50



UNLESS OTHERWISE SPECIFIED:
DIMENSIONS ARE IN MILLIMETERS
SURFACE FINISH:
TOLERANCES:
LINEAR:
ANGULAR:

FINISH:

XXXXXXXX

DEBUR AND
BREAK SHARP
EDGES

DO NOT SCALE DRAWING

REVISION

مركز التصميم والبناء

	NAME	SIGNATURE	DATE
DRAWN			
CHK'D			
APPV'D			
MFG			
Q.A			

TITLE:

Y a & @ & @ € € Á \ • q } Á

MATERIAL:

Ú [ã Á ~ ! - æ ^

DWG NO.

A4

WEIGHT:

SCALE:1:20

SHEET 1 OF 1