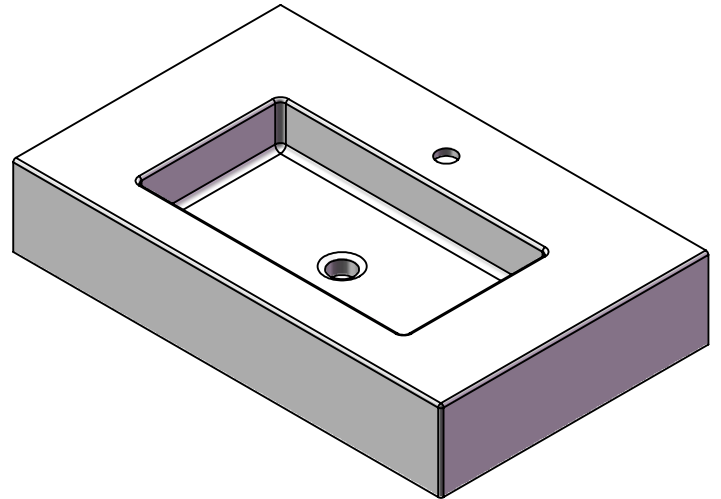


sink SQUARE 50



UNLESS OTHERWISE SPECIFIED:
DIMENSIONS ARE IN MILLIMETERS
SURFACE FINISH:
TOLERANCES:
LINEAR:
ANGULAR:

FINISH:

DEBUR AND
BREAK SHARP
EDGES

DO NOT SCALE DRAWING

REVISION

Y æ & Qz & @ Á € í € & Á ^ ! • q } Á

	NAME	SIGNATURE	DATE		
DRAWN					
CHK'D					
APPV'D					
MFG					
Q.A				MATERIAL:	
				Ù [ã Á Ú ~ æ &	
				WEIGHT:	

TITLE:	Y æ & Qz & @ Á € í € & Á ^ ! • q } Á
DWG NO.	A4
SCALE: 1:20	SHEET 1 OF 1