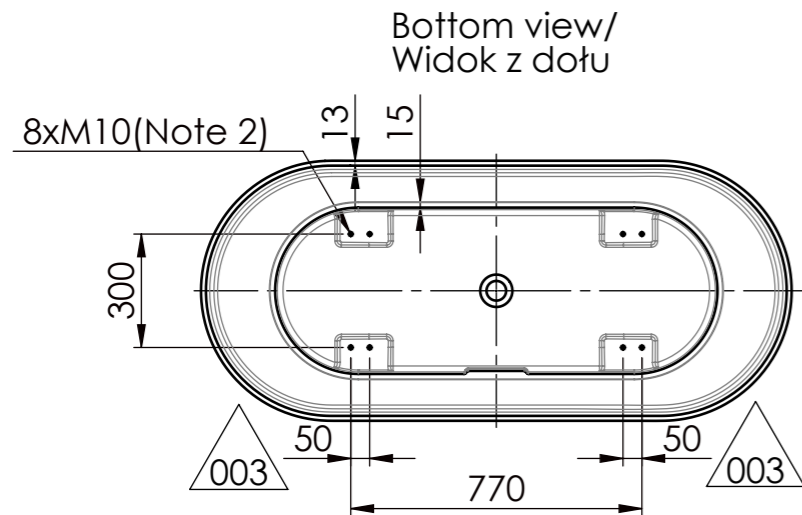
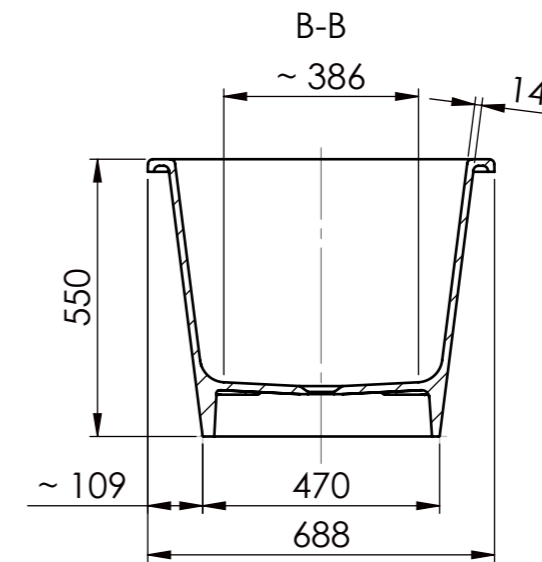
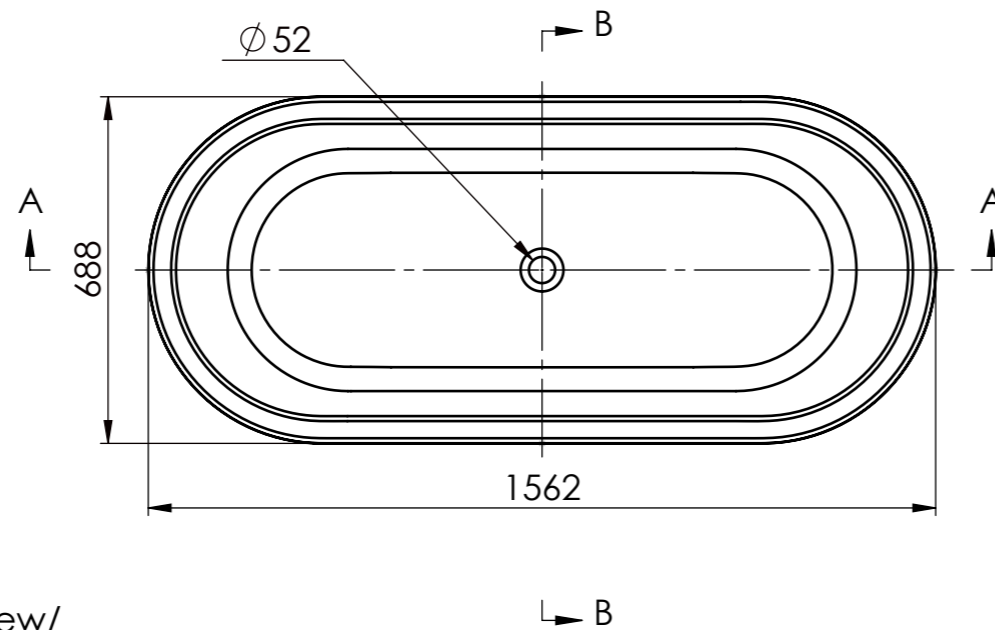
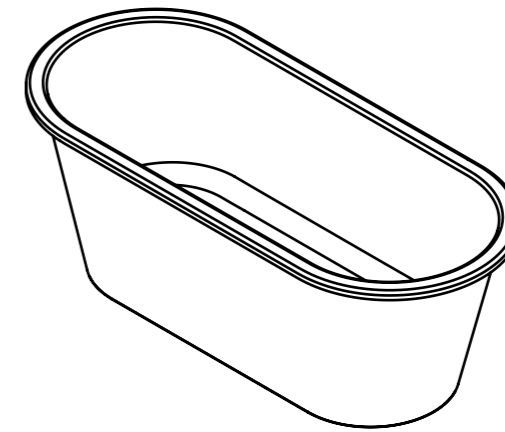
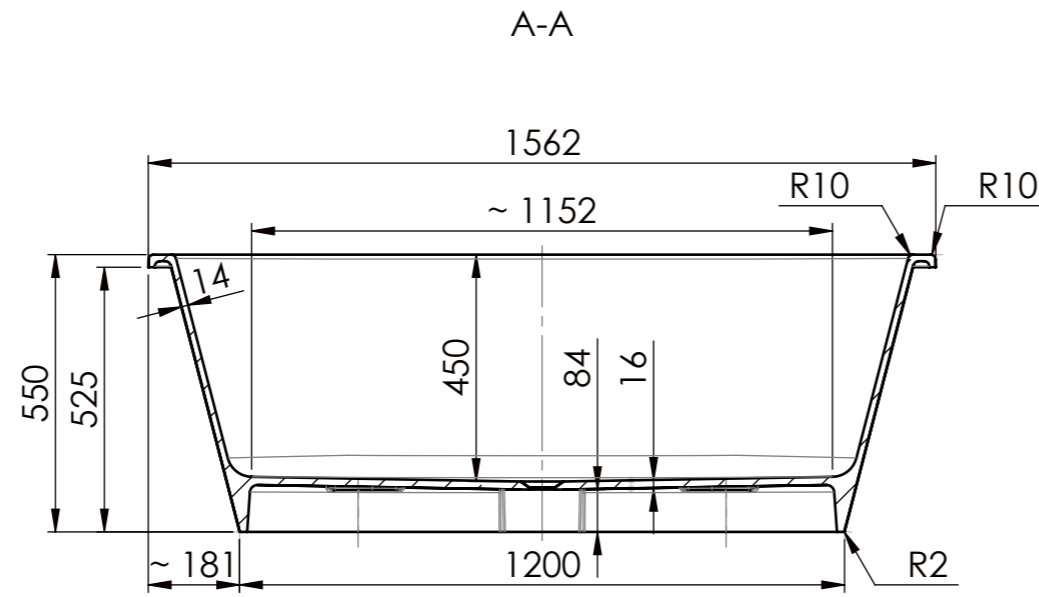


Rev	Design Change Note	Author	Date
001	First issue	KN	2012-03-05
002	Tolerance table updated	ZP	2013-05-09
003	Feet positions changed	ZP	2013-07-17



Uwagi/Note:
 1) Water volume (full bathtub) 290 l / objętość wody (pełna wanna) 290 l
 2) Steel bearings/Metalowe kołki

Tolerance length/width/height	+10/-10 mm	Drawn by	Created Date	Checked by	Art. Name:	VUY ÕÜÁĚ			
Tol. plane bending	≤800 mm	+1,5/-1,5 mm	Project status	Client	Art. No:	Mould No: FC179161			
	>800 mm	+3/-3 mm							
Tolerance holes location	+3/-3 mm	ÚŠĚPĚ			Customer ID: STD				
Tolerance wall thickness	+1/-1 mm				Material volume [mm ³]	Overflow	Tap hole	Main dimensions L x W / H [mm]	Drain
Tolerance feet location	+5/-5 mm	41078549.69	No	0	1562 x 688 / 550	Regular			
		Surface area [mm ²]	Sheet Size	Scale	Current revision				
		4940580.18	A3	1:15	003				