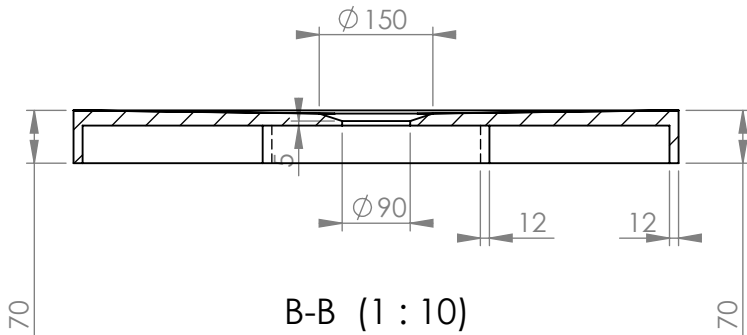
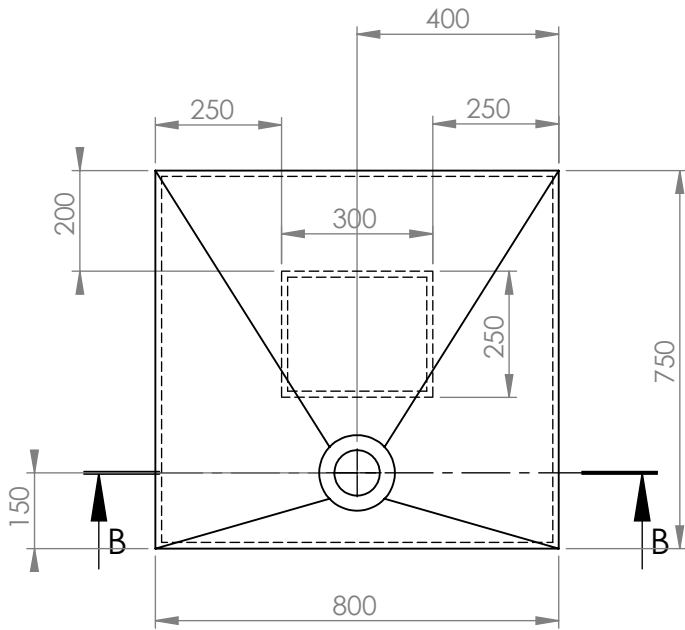
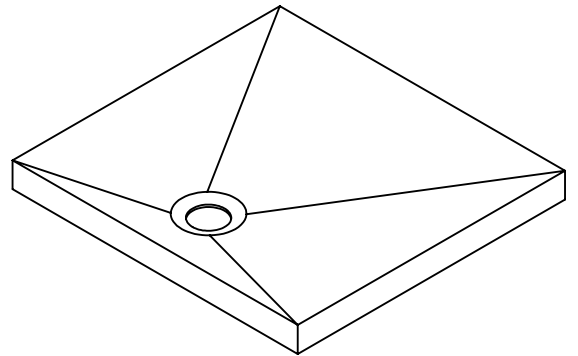


A-A (1 : 10)



B-B (1 : 10)



UNLESS OTHERWISE SPECIFIED:  
DIMENSIONS ARE IN MILLIMETERS  
SURFACE FINISH:  
TOLERANCES:  
LINEAR:  
ANGULAR:

FINISH:

GLOSSY

DEBUR AND  
BREAK SHARP  
EDGES

DO NOT SCALE DRAWING

REVISION

...

	NAME	SIGNATURE	DATE		
DRAWN					
CHK'D					
APPV'D					
MFG					
Q.A				MATERIAL:	
				...	
				WEIGHT:	

TITLE:

Ö•&@ }^Å €ï í & Å^!•q } Å

DWG NO.

A4

SCALE:1:20

SHEET 1 OF 1