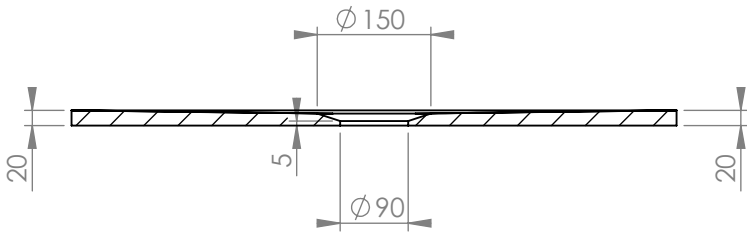
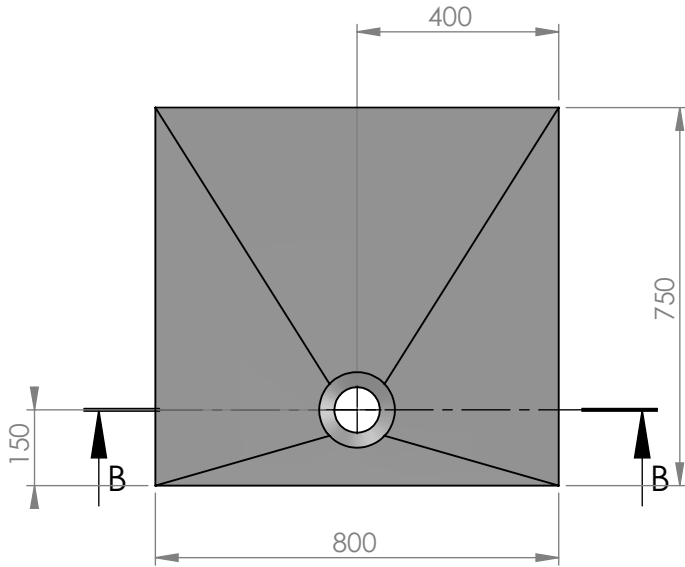
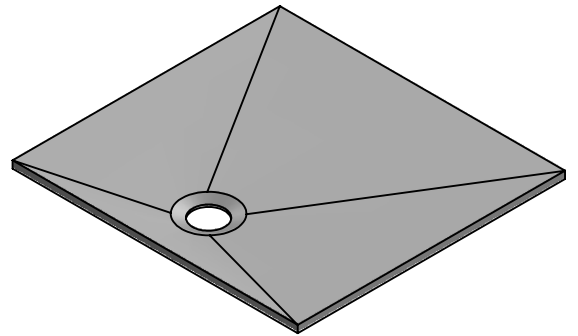


A-A (1 : 10)



B-B (1 : 10)



UNLESS OTHERWISE SPECIFIED:
DIMENSIONS ARE IN MILLIMETERS
SURFACE FINISH:
TOLERANCES:
LINEAR:
ANGULAR:

FINISH:

DEBUR AND
BREAK SHARP
EDGES

DO NOT SCALE DRAWING

REVISION

...

NAME	SIGNATURE	DATE			
DRAWN					
CHK'D					
APPV'D					
MFG					
Q.A					
			MATERIAL:		
			...		
			WEIGHT:		

TITLE:	
Ö•&@ } ^Ä €ï í & Å^!•ä } ÄÄ	
DWG NO.	A4
SCALE:1:20	SHEET 1 OF 1