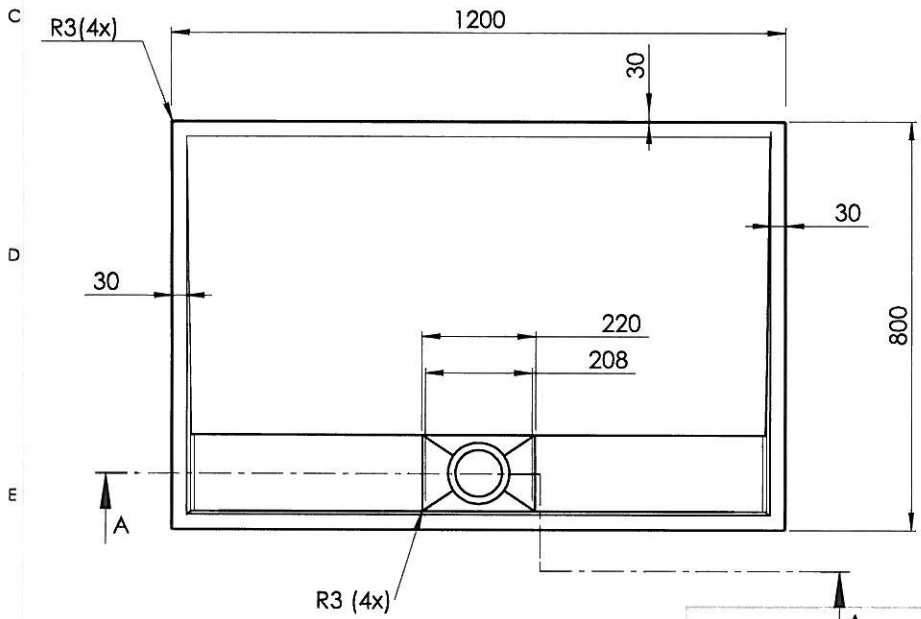
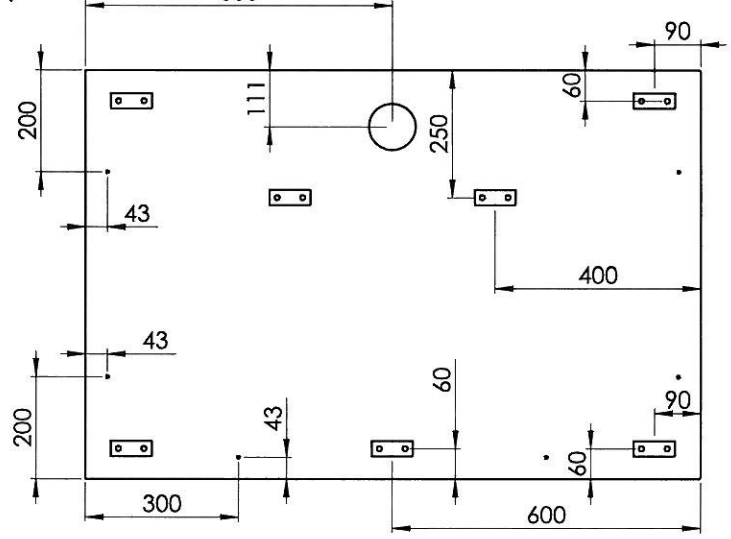


A-A (1:2)



not given radius = 1 mm

C (1:1)



This document must not be copied without our written permission, and the content thereof must not be imparted to a third party not be used for any unauthorized purpose. Contention will be prosecuted.

Konstruerad Av	Ritad Av	Skapad Datum	Godkänd Av	Tolerans Length (mm)	Skala
				+3/-0	1:10
Projekt ID	Kund	Ägare	Titel / Benämning		
			Style 4		
			MM Art.nr		
			Dimensions	1200 x 800	
			Client ID	2009	
Tolerance length	+3/-0 mm				
Tolerance length granite	+1.5/-1.5 mm				
Tolerance plane bending	+3/-3 mm				
			Rev	Blad	
				1 (4)	

