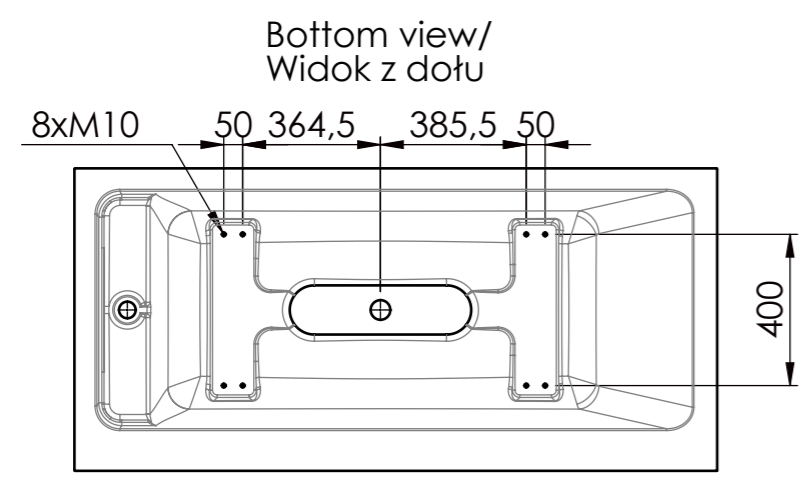
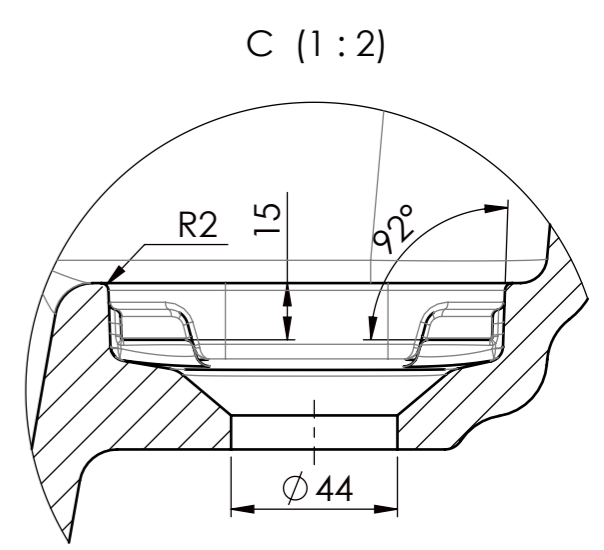
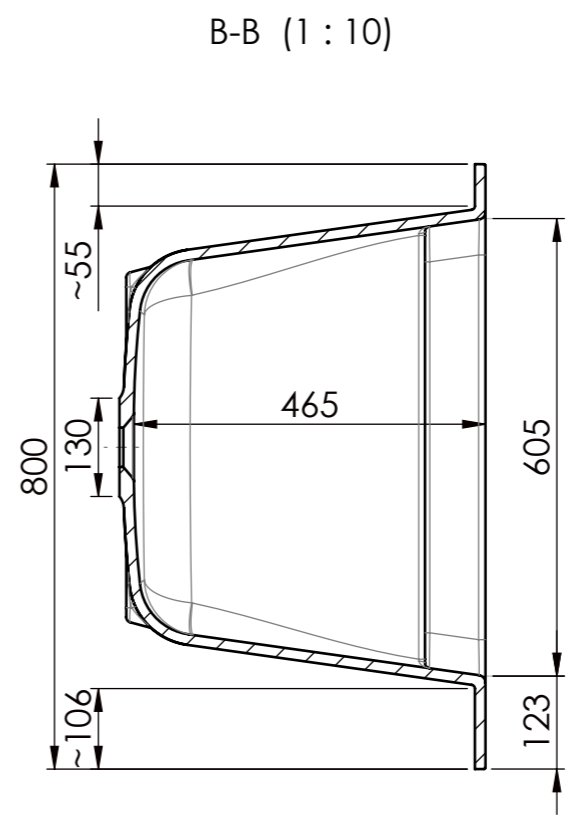
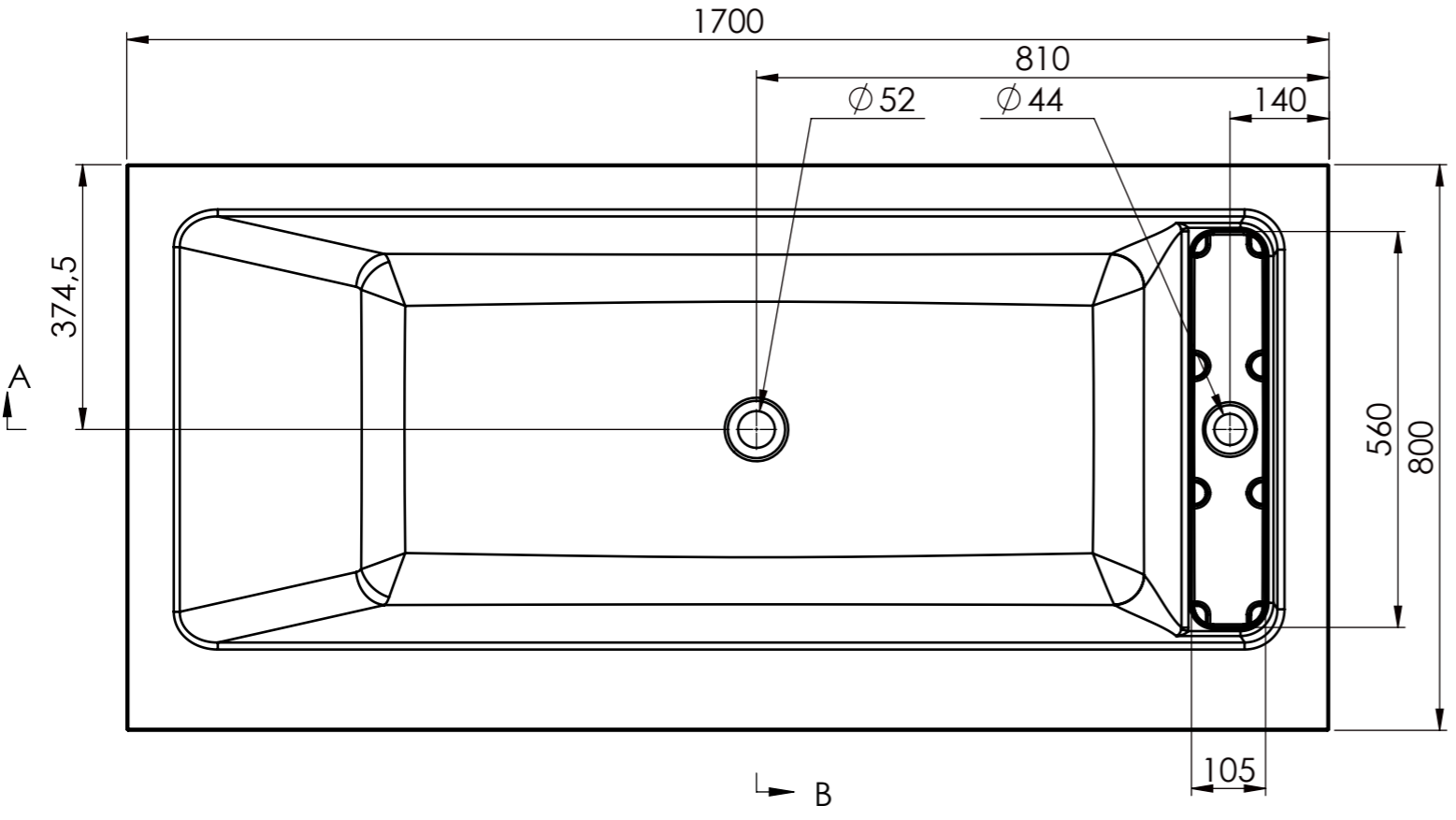
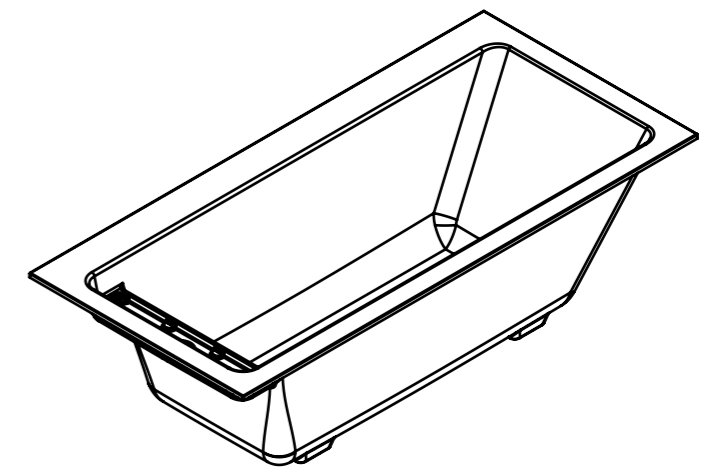
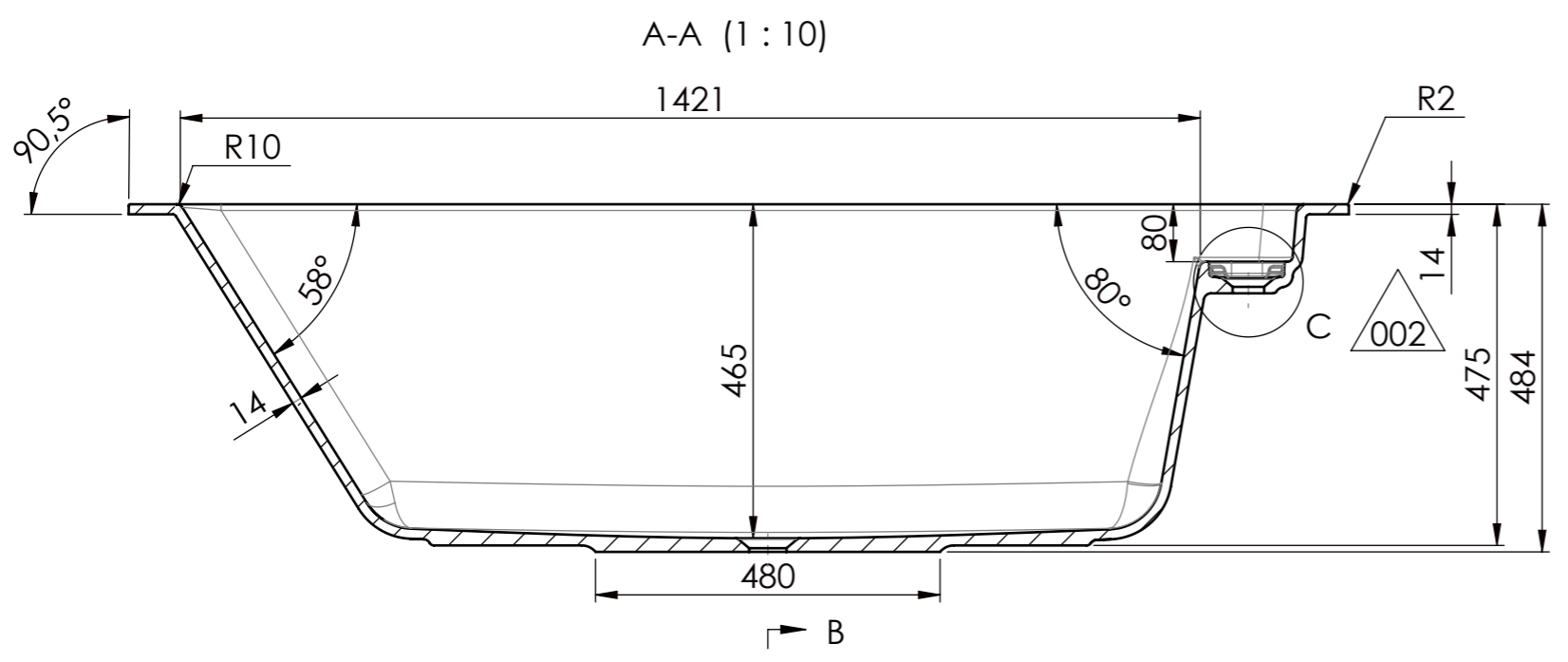


Rev	Design Change Note	Author	Date
001	First issue	KN	2013-08-27
002	Dimension changed	KN	2013-08-29
003	Name changed (old ALPINA)	ZP	2013-10-15



Notes/Uwagi:

1. Cover for overflow see drawing 6001800500xx/
2. Korek do przykrycia przelewu patrz rysunek 6001800500xx

Tolerance length/width/height	+10/-10 mm	Drawn by	Krzysztof N	Created Date	2013-01-14	Checked by	Rafal B	Art. Name:	ОСЬОЎ
Tol. plane bending	≤800 mm	+1,5/-1,5 mm	Project status	Client	Approved	PLANA	Customer ID: STD	Art. No:	6001801710xx
	>800 mm	+3/-3 mm						Mould No:	F0180171
Tolerance holes location	+3/-3 mm	Material volume [mm ³]	38162612	Overflow	Yes	Tap hole	0	Main dimensions L x W / H [mm]	1700 x 800 / 484
Tolerance wall thickness	+1/-1 mm	Surface area [mm ²]	5318535	Sheet Size	A3	Scale	1:20	Drain	Regular
Tolerance feet location	+5/-5 mm	Current revision		003					

This document must not be copied without our written permission, and the contents thereof must not be imparted to a third party nor be used for any unauthorized purpose. Contravention will be prosecuted.